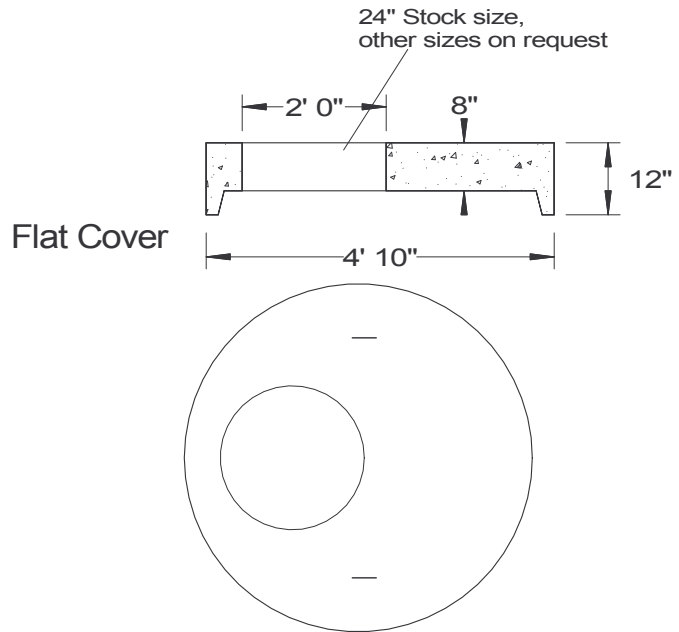
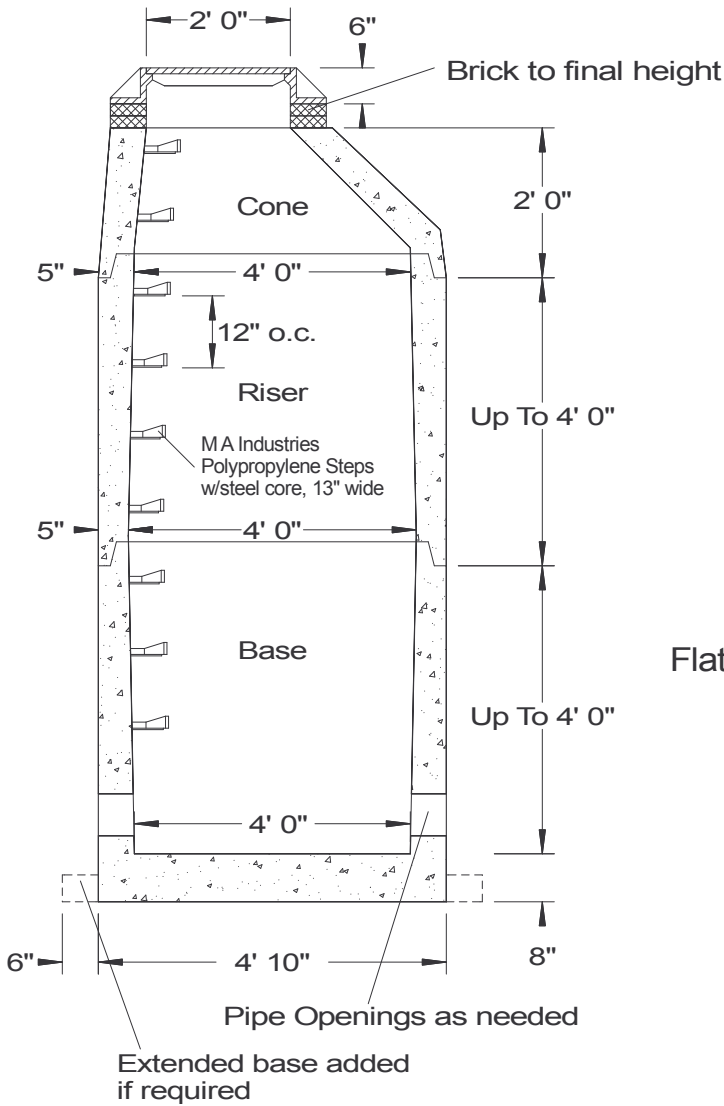
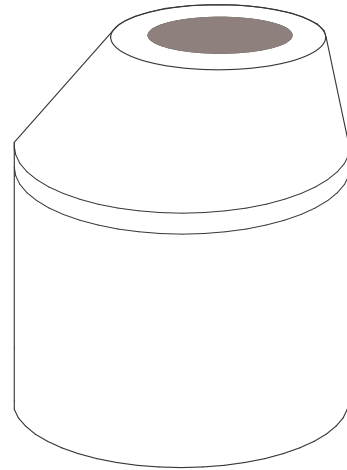


Weights: 8" Base = 1,800 lbs
 Walls = 850 lbs/lf
 24" Cone Section = 1,800 lbs
 8" Flat Cover = 1,450 lbs



SPECIFICATIONS	
<p>Concrete Min. Strength: 4,000 psi at 28 days Reinforcement: ASTM C478 / 3x12 - W3 x W2.1 Air Entrainment: 6% Construction Joint: Butyl Rubber Sealant Pipe Connections: Rubber Boots available Volume: 94 gallons / vertical foot Load Rating: H2O + 30% / ASTM C857</p>	<p>PRECAST MANHOLES 4' ID BASE, RISER & TOP</p> <p>Woodard's Concrete Products, Inc. 629 Lybolt Road, Bullville, NY 10915 (845) 361-3471 / Fax 361-1050</p>
<p>Page 2J 2/3/05</p>	